

DIMENSIONS— INCHES & [mm]

MODEL NUMBER	CAPACITY LBS [KG]	THD TORQUE	WEIGHT	CABLE LENGTH FT [M]
HI SPA60-30	66 LB [30KG]	18 LB-FT [25NM]	4.4 LB 2KG	10FT [3M]
HI SPA60-50	110 LB [50KG]			
HI SPA60-100	220 LB [100KG]			
HI SPA60-200	440 LB [200KG]			
HI SPA60-300	660 LB [300KG]			
HI SPA60-500	1.1 KLB [500KG]			
HI SPA60-750	1.65 KLB [750KG]			

TOLERANCES: ±0.01 [0.3] UNLESS OTHERWISE STATED

9. SEE SHEET 2 FOR FULL SCALE 2 DIMENSIONAL DROP-IN CAD FILE VIEWS.

8. LOAD SENSOR OPERATING TEMPERATURE RATING IS -20°C TO +65°C. USAGE OF LOAD SENSOR AT TEMPERATURES BELOW -20°C REQUIRES THAT THE LOAD SENSOR AND CABLE BE TEMPERATURE CONTROLLED.

7. LOAD SENSOR IS ALUMINUM.

6. CABLE IS SHIELDED, 6 CONDUCTOR. CABLE SHIELD IS FLOATING. SEE TABLE FOR CABLE LENGTHS.

5. C2 WIRE COLOR CODE FLAG LABEL IS LOCATED APPROXIMATELY 10 INCHES [254MM] FROM END OF CABLE.

EXCITATION +	RED
EXCITATION -	BLACK
SIGNAL +	GREEN
SIGNAL -	WHITE
C2 +	GRAY
C2 -	VIOLET
SHIELD	YELLOW

4. CABLE WIRE ENDS ARE STRIPPED BACK 0.5 INCHES [12.7MM] AND TINNED. CABLE JACKET IS STRIPPED BACK APPROXIMATELY 5 INCHES [127MM].

 LOCATION OF MODEL/SERIAL NUMBER LABEL.

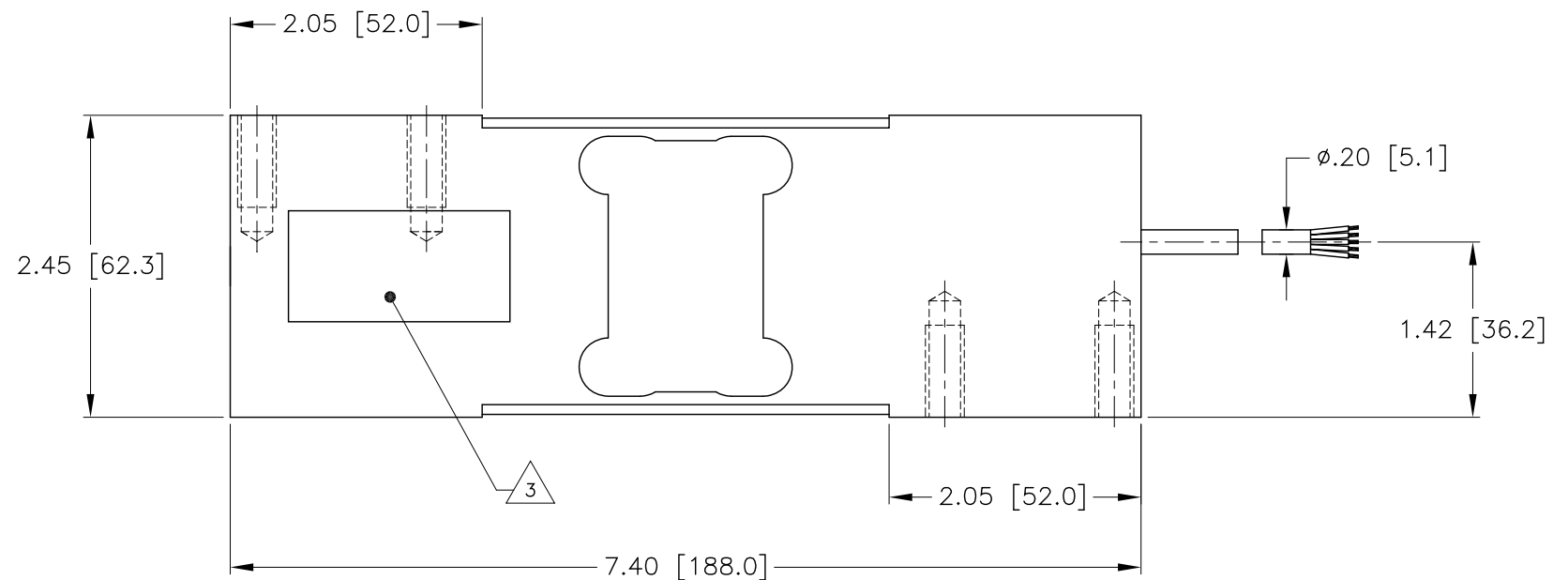
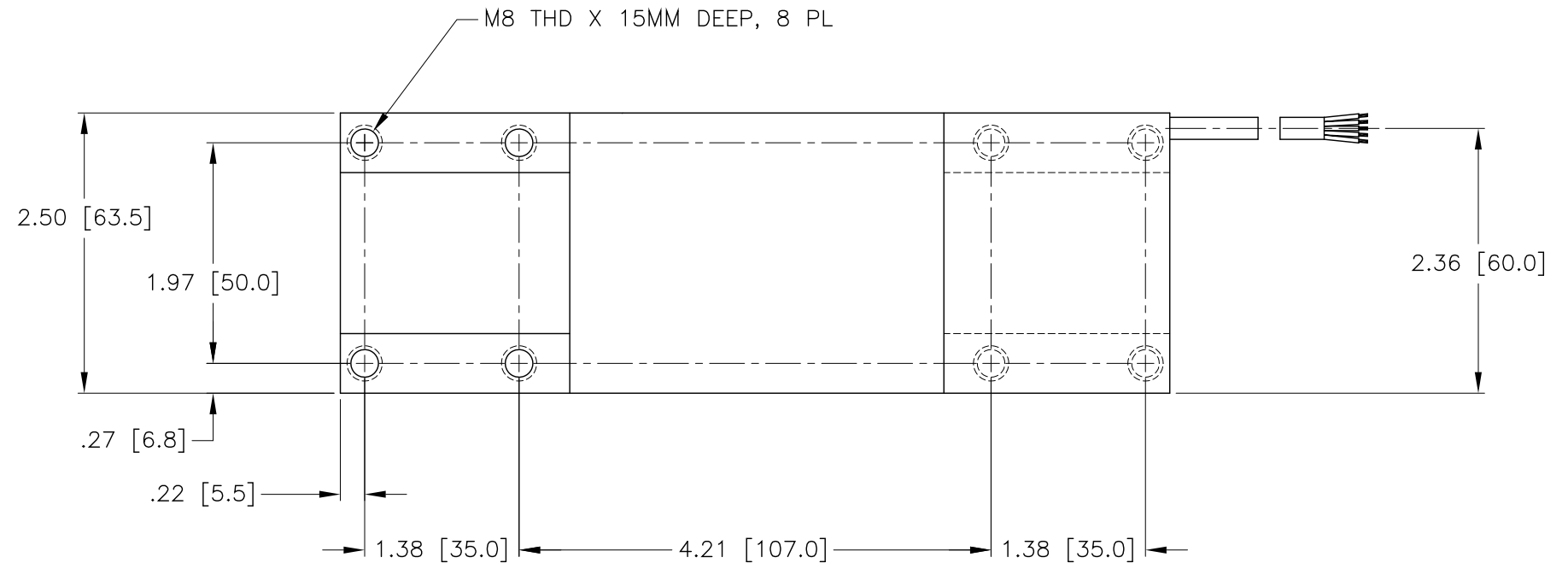
2. THIS DRAWING IS SUBJECT TO CHANGE WITHOUT NOTICE.

1. RATED OUTPUT: 2mV/V ±10%.

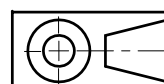
NOTES: UNLESS OTHERWISE SPECIFIED

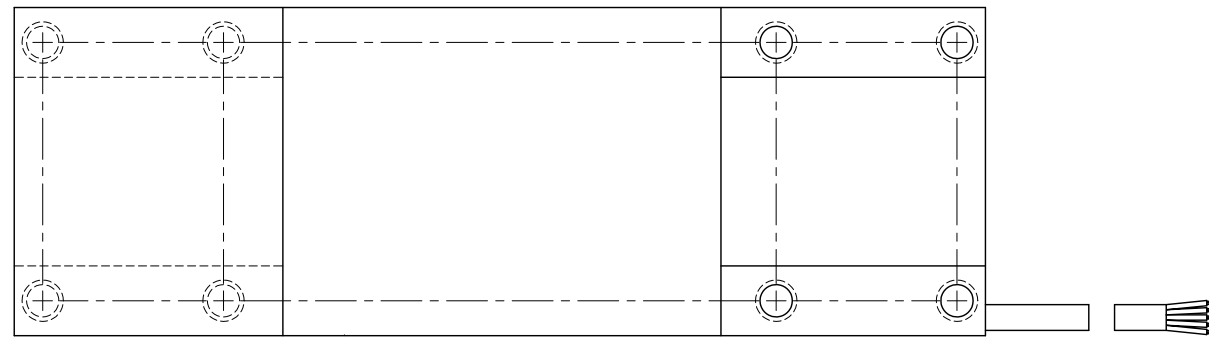
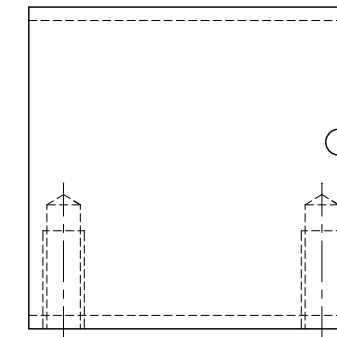
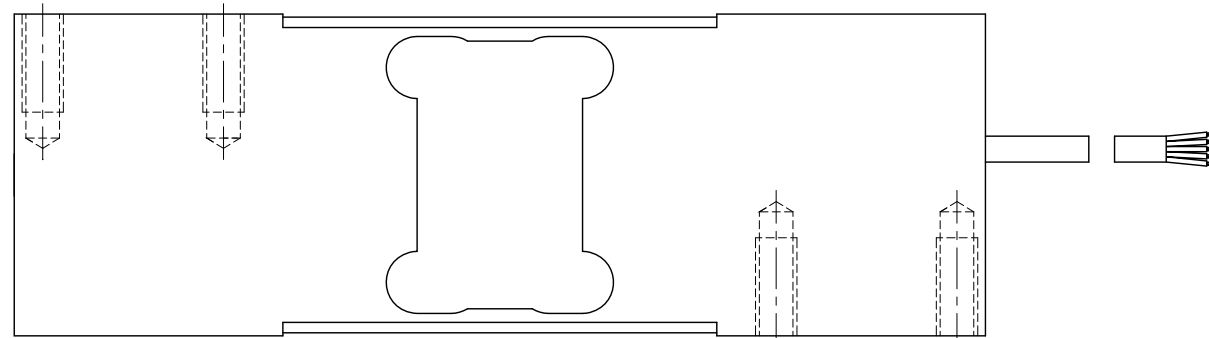
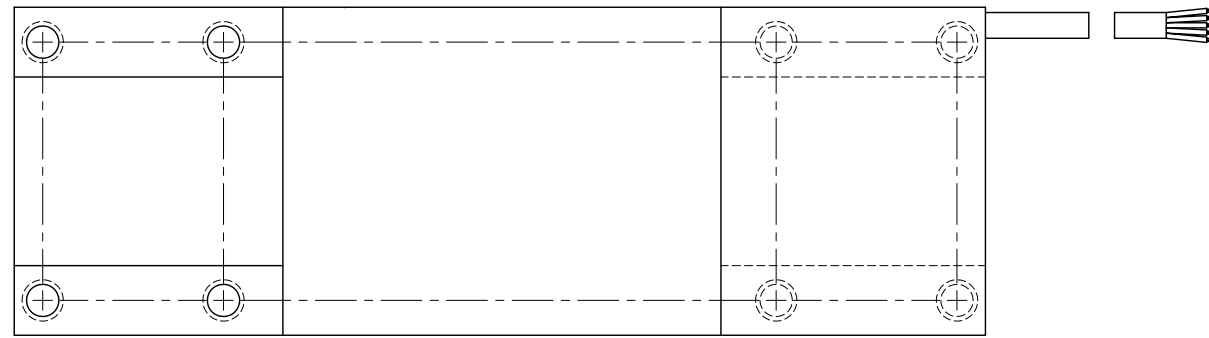
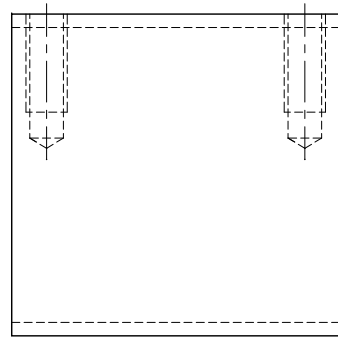
PROPRIETARY NOTICE
ALL DATA AND INFORMATION CONTAINED IN OR DISCLOSED BY THIS DOCUMENT IS CONFIDENTIAL AND PROPRIETARY INFORMATION OF HARDY PROCESS SOLUTIONS INC. AND ALL RIGHTS THEREIN ARE EXPRESSLY RESERVED. BY ACCEPTING THIS MATERIAL THE RECIPIENT AGREES THAT THIS MATERIAL AND THE INFORMATION CONTAINED THEREIN IS HELD IN CONFIDENCE AND IN TRUST AND SHALL NOT BE USED, COPIED, REPRODUCED IN WHOLE OR IN PART, NOR ITS CONTENTS REVEALED IN ANY MANNER TO OTHERS, EXCEPT TO MEET THE SPECIFIC PURPOSE FOR WHICH IT WAS DELIVERED.

REV.	ECO/DDC	DESCRIPTION	DATE	DRAFT	CHECK	APV'D
A	10678	RELEASED PER ECN.	09-23-09	V.J.C.	C.B.	V.J.C.
B	11531	REVISED PER ECN.	09-24-14	V.J.C.	N.H.S.	E.J.

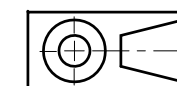


ITEM	QTY	0588-0141	OUTLINE DRAWING, LOAD SENSOR, HI SPA60 SERIES	COMMENTS
PARTS LIST				
UNLESS OTHERWISE SPECIFIED DIMENSIONS ARE IN INCHES [MM] TOLERANCES ARE: DECIMALS: .XX = ±.01 [.3] .XXX = N/A ANGLES: ±0°, 30'		CONTRACT NO.		
MATERIAL		APPROVALS		
FINISH		DRAWN V. CHULA DATE 09-21-09		
DO NOT SCALE DRAWING		CHECKED C. BABB DATE 09-23-09		
		APPROVED V. CHULA DATE 09-23-09		
		ISSUED V. CHULA DATE 09-23-09		
		PRODUCTION DATE		
		HARDY PROCESS SOLUTIONS		
TITLE OUTLINE DRAWING, LOAD SENSOR, HI SPA60 SERIES				
SIZE	FSCM	DRAWING NO.	REV.	
D	21316	0588-0141	B	
FILE NAME: 588141B1.DWG		SCALE: NONE		SHEET 1 OF 2





DROP-IN CAD FILE VIEWS



HARDY PROCESS SOLUTIONS			
TITLE OUTLINE DRAWING, LOAD SENSOR, HI SPA60 SERIES			
SIZE	FSCM	DRAWING NO.	REV.
D	21316	0588-0141	B
FILE NAME: 588141B1.DWG		SCALE: NONE	SHEET 2 OF 2